

**NATIONAL SAFETY CODE
Standard 10 – Cargo Securement**

Guidance:

**Securement of
Dressed Lumber and Similar Building Materials
on Flatbed Trucks and Trailers**

February 2011

Disclaimer

The guidance that is provided in this document is offered for convenience only. For accurate reference, please consult the National Safety Code Standard 10 (www.ccmta.ca) and the applicable provincial and territorial regulations.

*Minimum Strength of Securement System (*DIVISION 3, Section 10*)

- The *aggregate working load limit* of the cargo securement system used to secure an article or group of articles of cargo on or within a vehicle shall be not less than 50% of the weight of the article or total weight of the group.
- “*Aggregate working load limit*” is the sum of One-half of the working load limit for each end section of a tiedown that is attached to an anchor point.

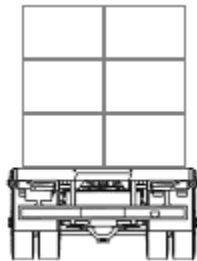
Section

41(1) Application

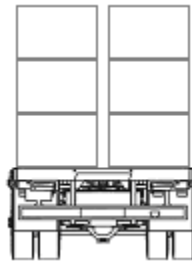
This division applies to the transportation of *bundles* of dressed lumber and packaged lumber, and unitized building products, including plywood, gypsum board or other materials of similar shape.

42 Side by Side

Where bundles are placed *side by side* each bundle shall be in direct contact with each other, or a method shall be used that prevents the bundles from moving towards each other.



CORRECT



INCORRECT

46(1) Bundles placed directly on top of other bundles

Bundles carried in 2 or more layers placed directly on top of other bundles or on spacers of adequate size and orientation, shall be secured by:

- tiedowns over the top layer of bundles, in accordance with provisions of section 22 of this Standard, with a minimum of two tiedowns for bundle(s) longer than 1.52 m (5'), and
- tiedowns over the middle layer of bundles in accordance with the provisions of section 22 of this Standard, for each stack of bundles higher than 1.85 m (6') composed of more than two layers

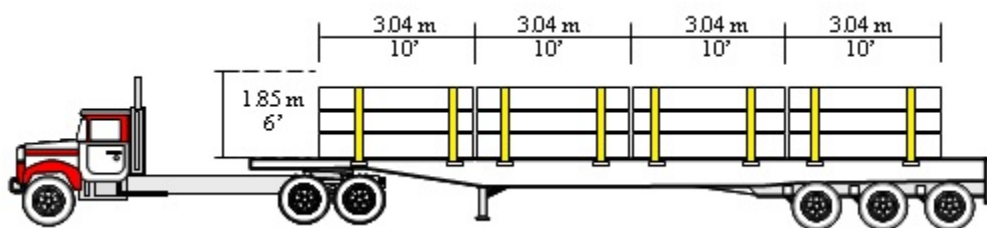
**MINIMUM NUMBER OF TIEDOWNS REQUIRED FOR BUNDLES OF
DRESSED LUMBER AND UNITIZED BUILDING PRODUCTS (SECTION 46)**

ARTICLE DESCRIPTION	Layers in Stack	Height of Stack	Article Blocked/Immobilized*		Article <u>Not</u> Blocked/Immobilized	
			Top Layer (# Tiedowns required)	Middle Layers (# Tiedowns required)	Top Layer (# Tiedowns required)	Middle Layers (# Tiedowns required)
1.52m (5ft) or shorter and 500kg (1100lb) or lighter	2 layers	Any height	1	Not required	1	Not required
	3 or more layers	1.85 metres or less	1	Not required	1	Not required
	3 or more layers	More than 1.85 metres	1	1 over middle layer	1	1 over middle layer
1.52m (5 ft) or shorter and over 500kg (1100 lb)	2 layers	Any height	1	Not required	2	Not required
	3 or more layers	1.85 metres or less	1	Not required	2	Not required
	3 or more layers	More than 1.85 metres	1	1 over middle layer	2	2 over middle layer
More than 1.52m (5 ft) but 3.04m (10 ft) or less	2 layers	Any height	2	Not required	2	Not required
	3 or more layers	1.85 metres or less	2	Not required	2	Not required
	3 or more layers	More than 1.85 metres	2	1 over middle layer	2	2 over middle layer
Longer than 3.04m (10 ft)	2 layers	Any height	<ul style="list-style-type: none"> • 2 tiedowns for first 3.04m (10') of cargo, plus • 1 tiedown for every 3.04m (10') or part thereof 	Not required	<ul style="list-style-type: none"> • 2 tiedowns for first 3.04m (10') of cargo, plus • 1 tiedown for every 3.04m (10') or part thereof 	Not required
	3 or more layers	1.85 metres or less	<ul style="list-style-type: none"> • 2 tiedowns for first 3.04m (10') of cargo, plus • 1 tiedown for every 3.04m (10') or part thereof 	Not required	<ul style="list-style-type: none"> • 2 tiedowns for first 3.04m (10') of cargo, plus • 1 tiedown for every 3.04m (10') or part thereof 	Not required
	3 or more layers	More than 1.85 metres	<ul style="list-style-type: none"> • 2 tiedowns for first 3.04m (10') of cargo, plus • 1 tiedown for every 3.04m (10') or part thereof 	Tiedowns over middle layer: <ul style="list-style-type: none"> • 1 for first 3.04m (10') of cargo, plus • 1 tiedown for every 3.04m (10') or part thereof 	<ul style="list-style-type: none"> • 2 tiedowns for first 3.04m (10') of cargo, plus • 1 tiedown for every 3.04m (10') or part thereof 	Tiedowns over middle layer: <ul style="list-style-type: none"> • 2 for first 3.04m (10') of cargo, plus • 1 tiedown for every 3.04m (10') or part thereof

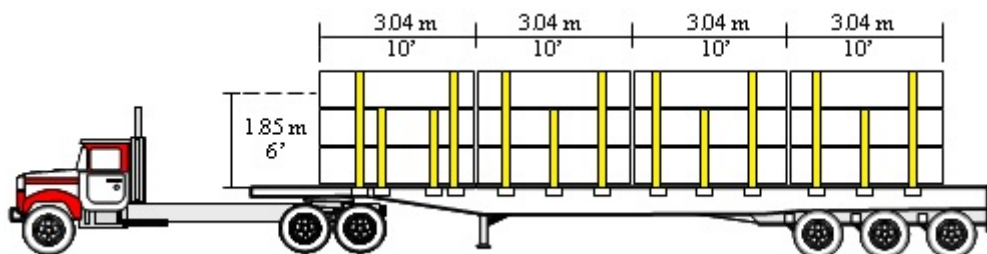
*Articles of cargo must be blocked or immobilized by a front-end structure, bulkhead or other immobilized cargo to prevent it from moving forward.

Note: Additional tiedowns may be required to ensure the aggregate working load limit is at least 50% of the weight of the cargo the tiedowns are securing.

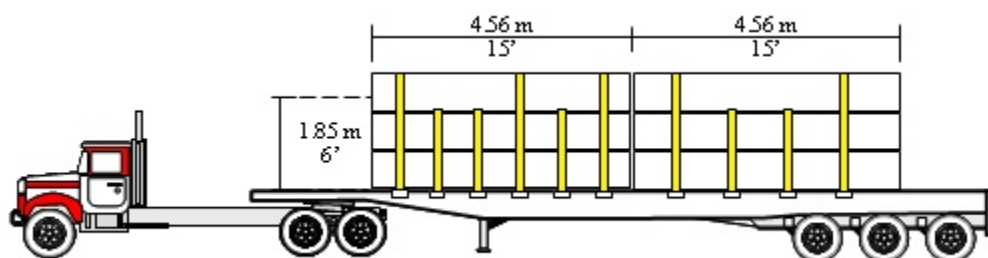
Securement Illustrations



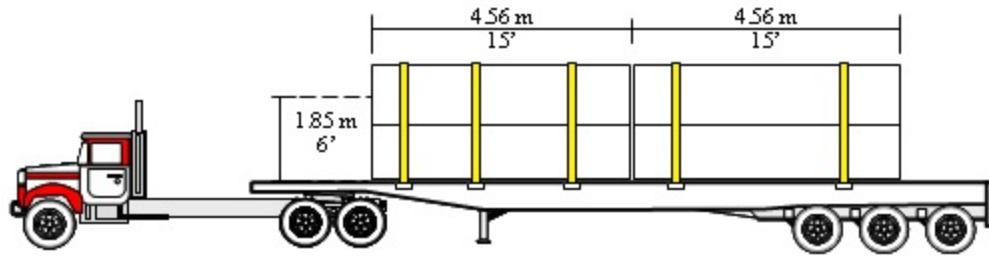
- Each stack has three layers; height of stacks is 1.85 metres (6') or less.
- Bundles are more than 1.52 m (5') in length and require a minimum of two tiedowns over the top of each stack. No belly wraps tiedowns required on middle bundles (stacks are less than 1.85 m (6') high).



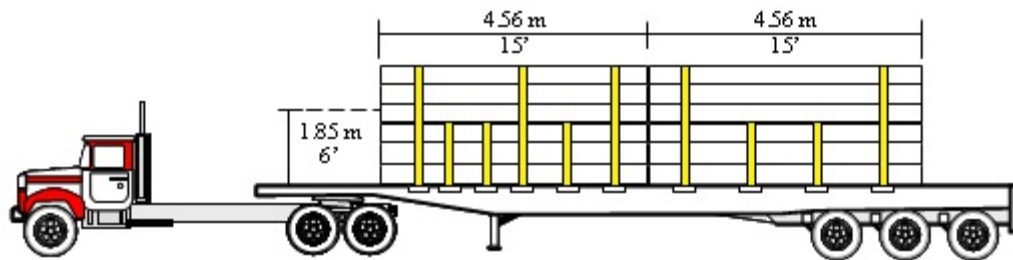
- Each stack has three layers; height of stacks is more than 1.85 m (6')
- First lift not butted or immobilized against vehicle structure, require at least 2 belly wrap tiedowns. Second, third and fourth lifts are butted or immobilized against other bundles, therefore a minimum of 1 belly wrap tiedown required for the second, third and fourth lifts. Minimum 2 tiedowns over bundles on top layer.



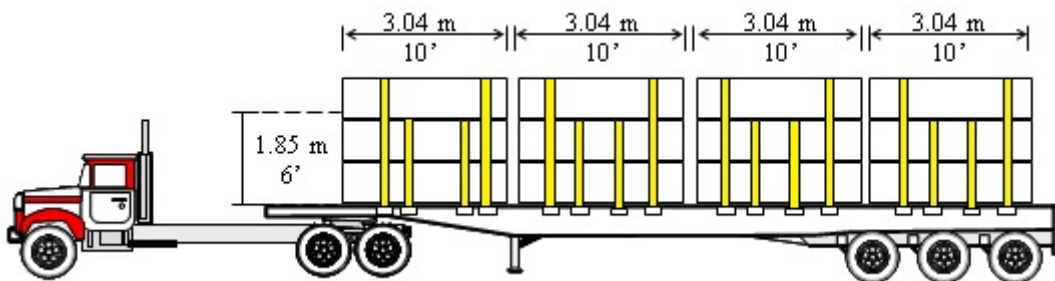
- Each stack has three layers; height of stacks is more than 1.85 m (6')
- First lift not butted or immobilized against vehicle structure, require at least 3 belly wrap tiedowns and a minimum of 3 tiedowns over top layer.
- Second lift is butted or immobilized against other bundles therefore 1 tiedown may be reduced on belly wrapped layers and top layer(s) of second lift.



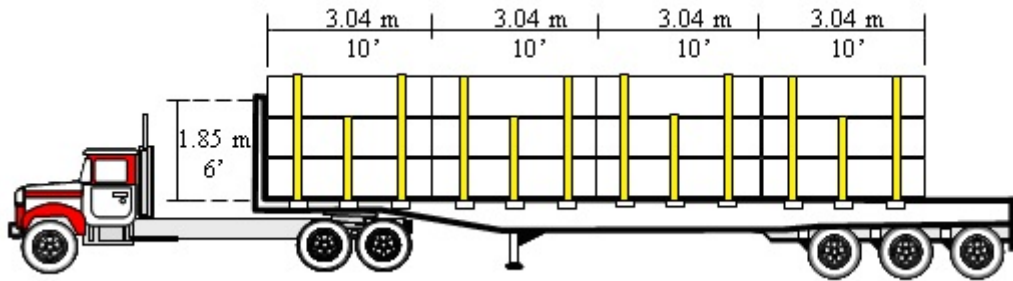
- Only two layers high, therefore does not require belly wrap tiedowns. Must meet the 50% aggregate WLL for tiedowns over top layers.



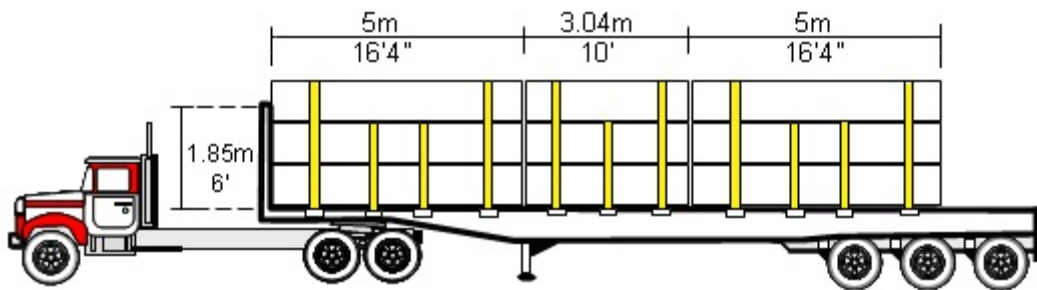
- Each stack has more than three layers and is more than 1.85 m (6') high.
- Belly wrap tiedowns are required over the middle layers.



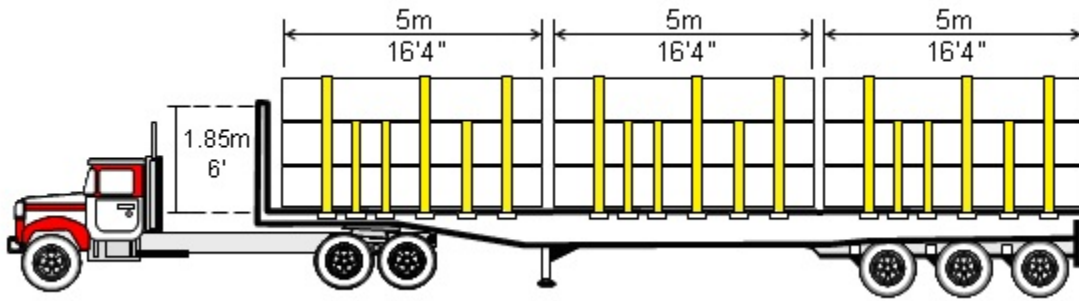
- Each stack has three layers; height of stacks is more than 1.85 m (6').
- The stacks are not butted or immobilized against forward movement.
- Requires a minimum of two belly wrap tiedowns over second layers and a minimum of 2 tiedowns over top layers for each stack due to length of cargo.



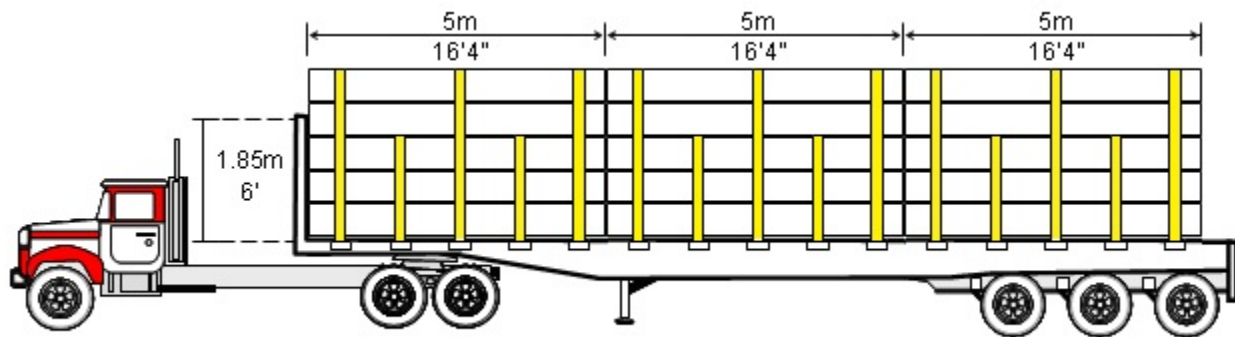
- Trailer equipped with bulkhead.
- Each stack has three layers; height of stacks is more than 1.85 m (6')
- First stack is butted or immobilized against vehicle structure and each additional stack is also butted or immobilized against other stacks.
- Requires minimum 2 tiedowns on top layers. Second layers require a minimum of 1 belly wrap tiedown due to length of cargo.



- Trailer equipped with bulkhead.
- Each stack has three layers; height of stacks is more than 1.85 m (6').
- First stack is butted or immobilized against vehicle structure and each additional stack is also butted or immobilized against other stacks.
- Minimum 2 tiedowns required over top layers due to length of bundles. Second layers require a minimum of 2 belly wrap tiedowns for the front and rear lifts and minimum a minimum of 1 belly wrap tiedown for the middle lift, due to length of bundle.



- Trailer equipped with bulkhead.
- Each stack has three layers; height of stacks is more than 1.85 m (6').
- Three layers high, three lifts not butted or immobilized against forward movement, require a minimum of 3 belly wrap tiedowns and a minimum of 3 tiedowns over top layers for each group or lift(s) due to length of bundle.



- Fifth layer on first lift not butted or immobilized against vehicle structure, therefore at least 3 tiedowns are required due to length of bundle.
- A minimum of 2 belly wrap tiedowns are required over middle layer on each lift as they are immobilized against forward movement.